

HARD DRIVE DOCKING KIT USER MANUAL

MODELS 451109
& 451123




MANHATTAN™

MAN-451109/451123-UM-0707-01

INTRODUCTION

Thank you for purchasing the MANHATTAN® Hard Drive Docking Kit, Model 451109 or Model 451123 (aluminum case).

The easy-to-follow instructions in this user manual help make setup and operation quick and simple, so you'll also soon be enjoying the benefits of these additional features:

- Easily converts any 3.5" SATA hard drive into a portable storage solution — installs into any 5.25" bay
- Supports data transfer rates of up to 3 Gbps
- Ideal for securing and transporting data between multiple locations and PCs; hot-swappable
- Electronic lock disconnects power for safe removal and helps reduce unauthorized access, drive damage and data loss
- Built-in cooling fan maximizes airflow and cooling efficiency
- Anti-vibration and aluminum frame construction help shield drive from shock
- Integrated, retractable handle
- Lifetime Warranty

System Requirements

- Available 12 V Molex power and SATA L-type data connections
- SATA-supported operating system; Windows/Macintosh compatibility

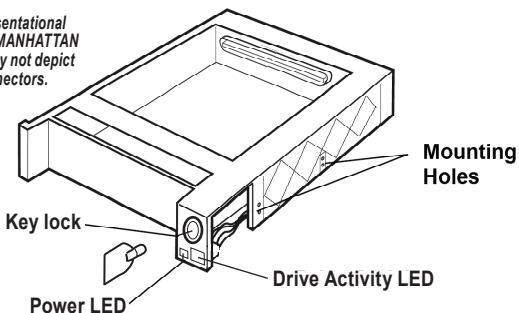
Package Contents

- Hard Drive Docking Kit with mounting screws
- User manual

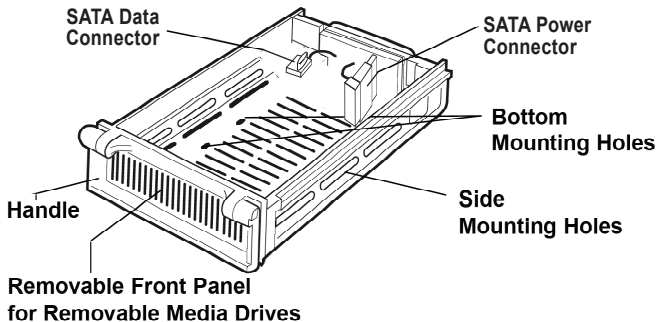
HARDWARE INSTALLATION

The MANHATTAN Hard Drive Docking Kit is designed for installation in most PC cases with an available 5.25-inch drive bay. Generalized instructions for installation are presented in this manual since the design of computer cases varies. Refer to your computer's manual whenever in doubt about procedures.

Diagrams are representational of the entire line of MANHATTAN docking kits and may not depict specific cables/connectors.

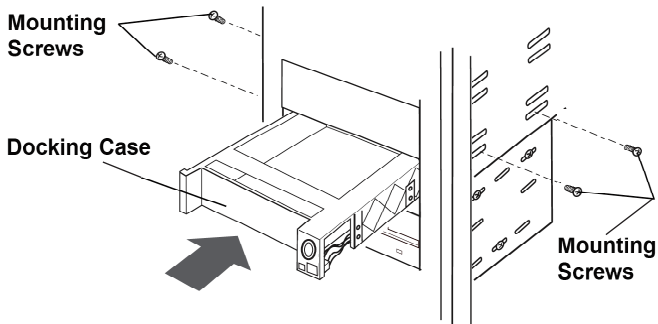


This Hard Drive Docking Kit is composed of two components: the docking case (above) and the drive case (below, with cover removed).



Installing the Docking Case

1. Turn off the power to your computer and any other connected peripheral devices. Follow these precautions for static electricity discharge:
 - Discharge any static electricity buildup in your body by touching a grounded metal surface such as the computer case, if plugged in.
 - During installation procedures, avoid any contact with internal device parts.
2. Unplug the power cord from the back of the computer.
3. Remove your computer's cover.
4. Remove the computer's front cover plate from the 5.25-inch drive bay in which you plan to install your MANHATTAN Hard Drive Docking Kit.
5. Remove (separate) the drive case from the docking case by lifting the handle and pulling it out.
6. Slide the docking case into the 5.25-inch drive bay.



7. Attach the SATA cable from the computer to the SATA connector on the back of the docking case.
8. Attach an available 4-pin power cable from the system's power supply to the 4-pin connector on the back of the docking case. The power connector is "D"-shaped to ensure proper orientation when making the connection. (See image below.)
9. Replace the computer's cover; reconnect the power and other external cabling.

Diagrams are representational of the entire line of MANHATTAN docking kits and may not depict specific cables/connectors.



SATA Connector

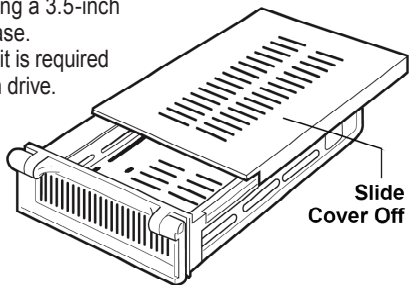
Power Connector

Mounting a Drive in the Drive Case

These steps are for installing a 3.5-inch drive device in the drive case.

NOTE: A special adapter kit is required in order to install a 2.5-inch drive.

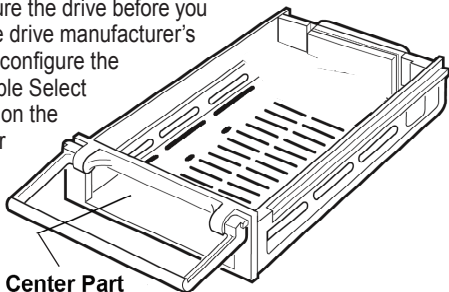
1. Remove the drive case cover by sliding it toward the back of the unit.



Slide Cover Off

2. If you plan to install a drive that features removable media, carefully punch out the center part of the front panel.

IMPORTANT: If you are installing a new hard drive in the case, you may need to configure the drive before you install it. Refer to the drive manufacturer's documentation and configure the drive as Master, Cable Select or Slave depending on the configuration of your computer. After you complete this installation, you may also need to re-configure the computer's BIOS setup to make the drive functional in the system.



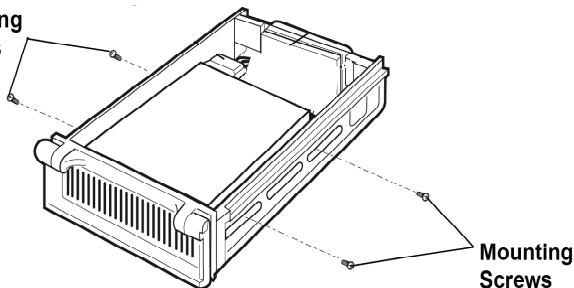
Center Part of Front Panel Removed

3. The drive case's SATA cable supports 3.5-inch drives. Attach the power and SATA cables from the drive case to the drive. The power connector is "D"-shaped to help orient the connector correctly.

NOTE: In order to install a 2.5-inch drive, you need a 44-pin-to-40-pin connector adapter.

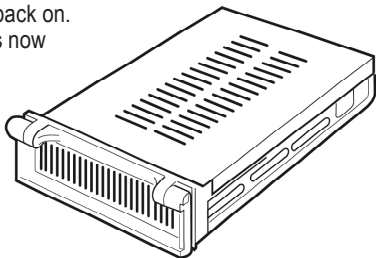
4. Carefully position the drive inside the drive case

**Mounting
Screws**



5. Secure the drive in place using the supplied mounting screws. Use the mounting holes on the sides or bottom, depending on the design of the drive.

6. Slide the drive case cover back on.
The hardware installation is now complete; the drive case is ready to use.



Hot-Swapping

The power to your computer can be on both when the drive is inserted or removed. Use the key to turn the drive on after inserting it and off before removing it.

To insert the drive case:

1. Insert the drive case (with drive installed) into the installed docking case, pushing firmly until the drive is seated.
2. Insert the provided key and lock the case in place by pushing the key in and turning it clockwise. The LED beneath the switch lights after a slight delay, indicating the device is ready to use.

To remove the drive case:

1. Unlock the drive case (if locked) by turning the key counterclockwise.
CAUTION: Do not turn the key to unlock the drive case while the drive is in use, as loss of data may occur.
2. Gently pull on the handle to slide the drive case out.

SPECIFICATIONS

Standard and Certifications

- SATA 300/150, CE, TUV, RU

General

- SATA-to-SATA interface
- Supports data transfer rates of up to 133 MBps
- Electronic locking mechanism & integrated power switch (2 keys)
- Single rear-mount cooling fan, 4 cm (1.5 in.)
- LED indicators: Power & Activity

Connections

- Drive-to-tray: SATA power, SATA L-type data
- Tray-to-chassis: Centronic-type connector (gold-plated)
- Chassis: SATA L-type data, 4-pin Molex 12 V power, 2-pin fan power

Physical

- Material:
 - Model 451109: plastic (94V-0 ABS)
 - Model 451123: aluminum & plastic (94V-0 ABS)
- Chassis: 215 x 146 x 42.4 mm (8.9 x 5.75 x 1.7 in.)
- Tray: 195 x 118 x 36 mm (8 x 4.7 x 1.5 in.)
- Weight:
 - Model 451109: 635 g (22.4 oz.)
 - Model 451123: 760 g (27 oz.)

Environmental

- Operating temp.: 23 – 122°F (-5 – 50°C)
- Storage temperature: -4 – 149°F (-20 – 65°C)
- Operational humidity: 10 – 80%
- Storage humidity: 10 – 90%



MANHATTAN[™]

BRINGING COMPUTERS TO LIFE

www.manhattan-products.com

Are you completely satisfied with this product?
Please contact your MANHATTAN[®] dealer
with comments or questions.

Copyright © MANHATTAN

All products mentioned are trademarks or registered trademarks of their respective owners.